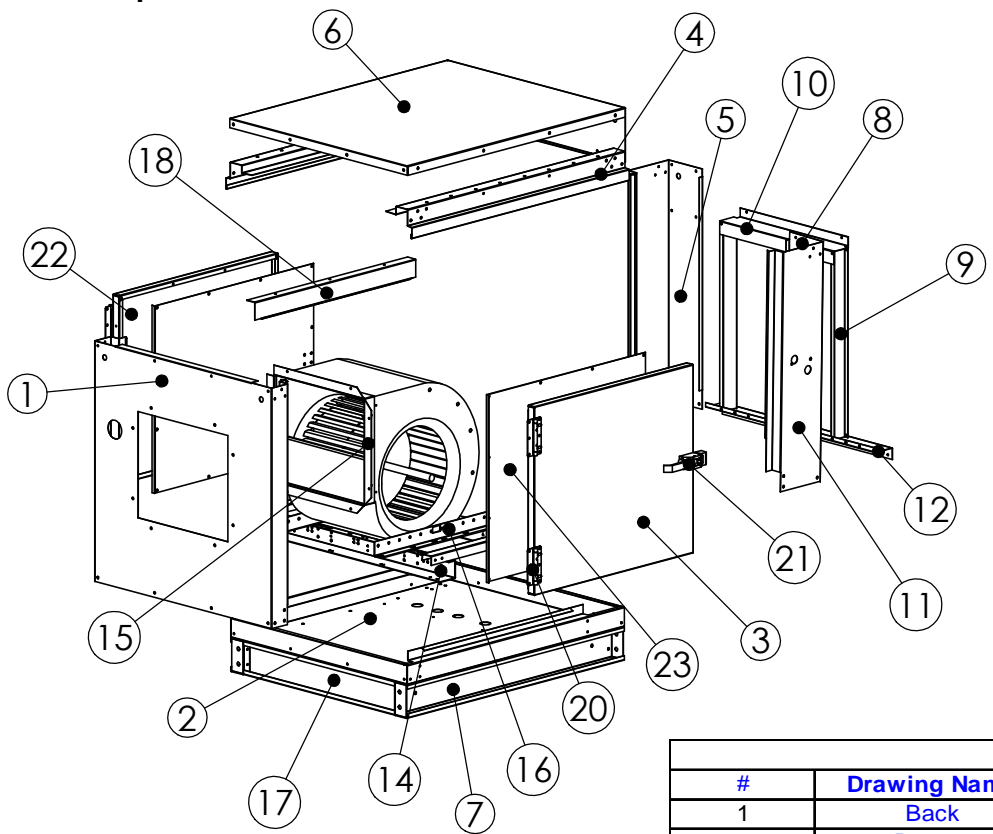


AHU
EXPLODED
VIEWS FOR
SUPPLY
1/25/2017

INLINE Exploded View



Revision History				
#	Description	Revised by	ECN#	Date
1	Add Filter Information	AJK	2163	10/8/10
2	Added Brackets	AJK	2261	7/11/11
3	Added Door Handles	JJH	2594	2/27/13
4	Update Inline LP Instructions	JJH		3/30/15
5	Updates for Hinged Doors	PEM	2795	11/8/16

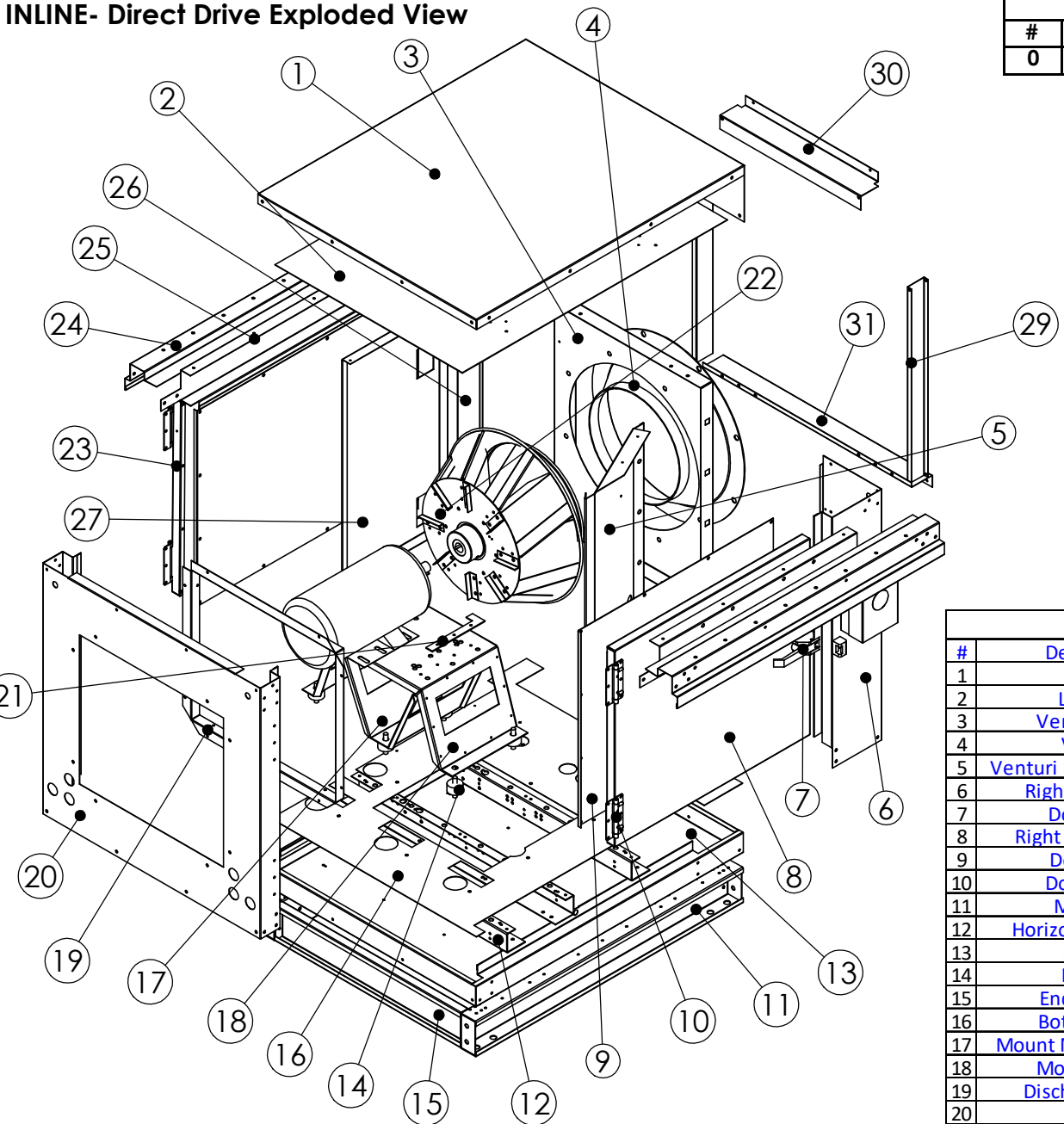
Filter Information	
Blower	Filter Size
10"-L	(1) 16IN x 20IN
10"	(1) 16IN x 20IN
12"	(1) 20IN x 25IN
15"	(1) 20IN x 25IN
18"	(2) 20IN x 25IN

- Notes:
- 1) Lifting Lugs = M1LIFTL (4 Required)
 - 2) Right Front Post has multiple configurations for various disconnect switches.
(RD) for rotary disconnect
(NS) for no switch
 - 3) Disconnect switch is dependent on motor load.
 - 4) L1VIB vibration isolator used on G Series blowers.
 - 5) All Units are insulated.

AHU 1-3 Inline									
#	Drawing Name	G10 Side LP	G10 Side	Qty	G12 Side	G15 Side	Qty	G18 Side	Qty
1	Back	B10SLP	B1SDBKH	1	B22SDBKH	B2SDBKH	1	B3SDBKH	1
2	Bottom	B1SDBT	B1SDBTH	1	B2SDBTH	B2SDBTH	1	B3SDBTH	1
3	Right Door	B1DOLP	B1DOORRH	1	B2DOORRH		1	B3DOORRH	1
4	Drip Rail	B1DPRL		2	B2DPRL		2	B3DPRL	2
5	Left Front Post	B1LPLP	B1LTFFPH	1	B2LTFFPH		1	B3LTFFPH	1
6	Lid	B1LDLP	B1DDLIDS	1	B2LIDD		1	B3LIDD	1
7	Main Rail	N/A	ME12MR	2	B2MNRL		2	B3MNRL	2
8	Filter Stop	N/A		N/A	B2NFSP		1	B3NFSP	1
9	Filter Side	B1NSID		2	B2NSID		2	N/A	N/A
10	Filter Top	B1NLTP	B1NTOP	1	B2NTOP		1	B3NTOP	1
11	Right Front Post	B1RPLP	B1RTFFPH	1	B2RTFFPH		1	B3RTFFPH	1
12	Filter Bottom	M12IBOT		1	M12IBOT		1	B3NBOT	1
13	Door Hook	B1DRHK	N/A	2	N/A		N/A	N/A	N/A
14	Horizontal Support	M1HSUP		2	M2HSUP		2	M3HSUP	3
15	Blower Collar	B1G10COL		1	B2G12COL	B2G15COL	1	B3G18COL	1
16	Blower Brace	B1BLBC		2	B2BLBC		2	B3BLBC	2
17	End Flashing	N/A	M1EFLS	2	M2EFLS		2	M3EFLS	2
18	Door Support	B1DRSP	B1TDSH	2	B2TDSH		2	B3TDSH	2
19	Door Handle	P-50-1010	N/A	2	N/A		N/A	N/A	N/A
Motor Mounting Hardware	Motor Platform	G10BRACKET		1	G12BRACKET	G15BRACKET	1	G18BRACKET	1
	Scroll Plate Angle	SCROLLPLATE		2	SCROLLPLATE		2	SCROLLPLATE	2
	Direct Drive Bracket	B1DDMM		2	N/A		N/A	N/A	N/A
20	Door Hinges	N/A	HG-OTA100	4	HG-OTA100		4	HG-OTA100	4
21	Door Latches	N/A	A7-10-351-20	2	A7-10-351-20		4	A7-10-351-20	4
22	Left Door	B1DOLP	B1DOORLH	1	B2DOORLH	B2DOORLH	1	B3DOORLH	1
23	Door Liner	N/A	B1DORLH	2	B2DORLH	B2DORLH	2	B3DORLH	2

INLINE- Direct Drive Exploded View

Revision History				
#	Description	Revised by	ECN#	Date
0	Updates for Direct Drive Mods	PEM	2795	11/8/16



Filter Information	
Blower	Filter Size
15"	(1) 16IN x 20IN
20"	(1) 20IN x 25IN
24"	(2) 20IN x 25IN

- Notes:
- 1) Lifting Lugs = M1LIFTL (4 Required)
 - 2) Right Front Post has multiple configurations for various disconnect switches.
(RD) for rotary disconnect
(NS) for no switch
 - 3) Disconnect switch is dependent on motor load.
 - 4) All Units are insulated.

AHU 1-3 Inline- Direct Drive							
#	Description	Size 1	Qty	Size 2	Qty	Size 3	Qty
1	Lid	B1DDLIDS	1	B2LIDD	1	B3LIDD	1
2	Lid Liner	B1ULLD	1	B2ULLD	1	B3ULLD	1
3	Venturi Plate	B1DDBAVP	1	B2DDBAVP	1	B3DDBAVP	1
4	Venturi	F5020015MUSBI	1	F5020020MUSBI	1	F5020024MUSBI	1
5	Venturi Plate Extension	B1VPE	1	B2VPE	1	B3VPE	1
6	Right Front Post	B1RTFPH	1	B2RTFPH	1	B3RTFPH	1
7	Door Latch	A7-10-351-20	2	A7-10-351-20	4	A7-10-351-20	4
8	Right Door Hinged	B1DOORRH	1	B2DOORRH	1	B3DOORRH	1
9	Door Liner	B1DORLH	2	B2DORLH	2	B3DORLH	2
10	Door Hinge	HG-OTA100	4	HG-OTA100	4	HG-OTA100	4
11	Main Rail	ME12MR	2	B2MNRL	2	B3MNRL	2
12	Horizontal Support	M1HSUP	3	M2HSUP	3	M3HSUP	3
13	Bottom	B1SDBTH	1	B2SDBTH	1	B3SDBTH	1
14	Isolator	800113-D80	6	800113-D80	6	800113-D80	6
15	End Flashing	M1EFLS	2	M2EFLS	2	M3EFLS	2
16	Bottom Liner	B1DDINL	1	B2DDINL	1	B3DDDDL	1
17	Mount Mount Support	B1DDMMS	1	B2DDMMS	1	B3DDMMS	1
18	Motor Mount	B1DDMM	1	B2DDMM	1	B3DDMM	1
19	Discharge Collar	B1DDC	1	B2DDC	1	B3DDC	1
20	Back	B1SDBKHDD	1	B2SDBKHDD	1	B3SDBKHDD	1
21	Motor Positioning Plate	BMPP	2	BMPP	2	BMPP	2
22	Fan	Varies	1	Varies	1	Varies	1
23	Left Door Hinged	B1DOORLH	1	B2DOORLH	1	B3DOORLH	1
24	Drip Rail	B1DPRL	2	B2DPRL	2	B3DPRL	2
25	Top Door Support Hinged	B1TDSH	2	B2TDSH	2	B3TDSH	2
26	Left Front Post	B1LTFPH	1	B2LTFPH	1	B3LTFPH	1
27	Wheel Guard	B1DDWG	1	B2DDWG	1	B3DDWG	1
28	Filter Stop	N/A	N/A	B2NFSP	1	B3NFSP	1
29	Filter Side	B1NSID	2	B2NSID	2	N/A	N/A
30	Filter Top	B1NTOP	1	B2NTOP	1	B3NTOP	1
31	Filter Bottom	M12IBOT	1	M12IBOT	1	B3NBOT	1